

Turbomite CVT Series Turbine Vibrators



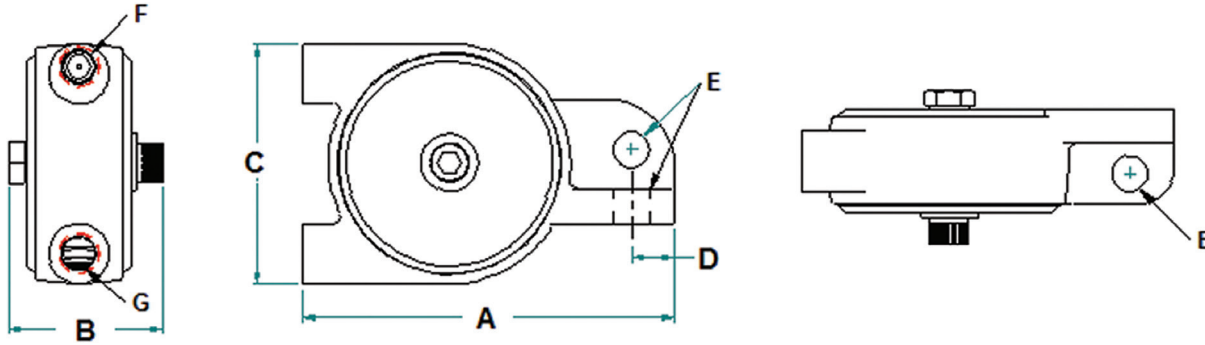
You Won't Hear Anything—Except Rave Reviews

Our Turbomite CVT Series Turbine Vibrators are incredibly quiet, but their performance attracts plenty of attention. Featuring mild steel construction, they offer unparalleled efficiency and optimal force-to-weight and force-to-air consumption ratios that are easily two to four times better than competitive products. High-temperature vibrators are also available for use in industrial settings up to 450°F.

BENEFITS INCLUDE

- Quality steel construction and ultra-efficient air consumption allow economical continuous duty
- Produce virtually no noise
- Permanently lubricated and sealed bearings enable uninterrupted operation
- Pneumatic power enables operation in hazardous environments
- Design allows for start and run at low pressure and mounting at any angle
- Typically last three times longer than ball vibrators
- Force outputs from 54 lbs. to 580 lbs. make them ideal for jobs on materials between 200 lbs. and 4,000 lbs.
- Grade 5 mounting fasteners included for quick setup

Turbomite CVT Series Turbine Vibrators



CVT STEEL BODIED TURBINE VIBRATORS

MODEL	A	B	C	D	E	F	G
CTV-30	3 ¹ / ₈ " 7.9 cm	1 ¹ / ₄ " 3.2 cm	1 ³ / ₄ " 4.4 cm	7 ⁷ / ₁₆ " 1.1 cm	5 ⁵ / ₁₆ " 0.8 cm	1 ¹ / ₈ " NPT	1 ¹ / ₈ " NPT
CTV-40	3 ⁹ / ₁₆ " 9 cm	1 ¹ / ₂ " 3.8 cm	2 ¹ / ₈ " 5.4 cm	1 ¹ / ₂ " 1.3 cm	3 ³ / ₈ " 0.9 cm	1 ¹ / ₈ " NPT	1 ¹ / ₄ " NPT
CTV-50	4.0" 10.2 cm	1 ⁵ / ₈ " 4.1 cm	2 ¹ / ₂ " 6.4 cm	5 ⁵ / ₈ " 1.6 cm	3 ³ / ₈ " 0.9 cm	1 ¹ / ₄ " NPT	1 ¹ / ₄ " NPT
CTV-80	5 ³ / ₈ " 13.7 cm	2 ¹ / ₄ " 5.7 cm	3 ¹ / ₂ " 8.9 cm	5 ⁵ / ₈ " 1.6 cm	1 ¹ / ₂ " 1.3 cm	1 ¹ / ₄ " NPT	1 ¹ / ₄ " NPT

MODEL	WEIGHT (LBS/KG)	UNBALANCE (IN-LBS/CM-KG)	@20 PSI/1.4 BAR			@40 PSI/2.8 BAR		
			SPEED (VPM)	FORCE (LBF/N)	AIR CONS (CFM/LPM)	SPEED (VPM)	FORCE (LBF/N)	AIR CONS (CFM/LPM)
CTV-30	.54/.25	.013/.017	12,060	54/239.8	1.1/30.7	14,280	75.3/334.3	1.8/50.9
CTV-40	.9/.39	.029/.038	4,500	17/75.5	1.3/33.3	7,900	51/226.4	1.8/50.9
CTV-50	1.4/.62	.044/.052	3,500	15/66.6	1.7/48.6	8,970	101/448.4	2.8/80.2
CTV-80	2.9/1.3	.194/.229	1,930	20.5/91	1.8/51.6	6,135	207.4/920.9	2.9/82.1

MODEL	WEIGHT (LBS/KG)	UNBALANCE (IN-LBS/CM-KG)	@60 PSI/4.1 BAR			@80 PSI/5.5 BAR		
			SPEED (VPM)	FORCE (LBF/N)	AIR CONS (CFM/LPM)	SPEED (VPM)	FORCE (LBF/N)	AIR CONS (CFM/LPM)
CTV-30	.54/.25	.013/.017	16,650	102.4/454.7	2.5/69.8	16,890	105.3/467.5	3.2/90.1
CTV-40	.9/.39	.029/.038	12,100	121/537.2	2.5/69.8	15,690	202.8/900.4	3.2/90.1
CTV-50	1.4/.62	.044/.052	12,790	204/905.8	3.8/109.5	14,560	265/1,176.6	5/142.6
CTV-80	2.9/1.3	.194/.229	8,750	421.8/1,872.8	40/113.5	10,255	579.4/2,572.5	5.2/147.9

Data for the above two tables obtained on 1,000-pound laboratory test block.
Frequency of vibration and resulting force will decrease on a less rigid structure.

More efficient and durable than ball vibrators, our Turbomite CVT Series Turbine Vibrators are well-suited for both large and small applications. That's why they're perfect for a variety of industries, including food and agriculture, aggregate and concrete, pharmaceutical and medical, manufacturing, plastics and foundries. We also offer our High Temperature (HT) units rated to operate in temperatures up to 450°F.

RECOMMENDED APPLICATIONS:

Food and Agriculture	Medical Products
Aggregate and Concrete	Manufacturing
Pharmaceutical and	Plastics
	Foundry

FOR MORE INFORMATION

Call: Sales at 800-221-3298

Email: sales@clevelandvibrator.com

Buy Online: www.clevelandvibrator.com

